

Please check all details & spellings and consider any changes to artwork that the artist has made.

YES NO

Has the logo been redrawn?

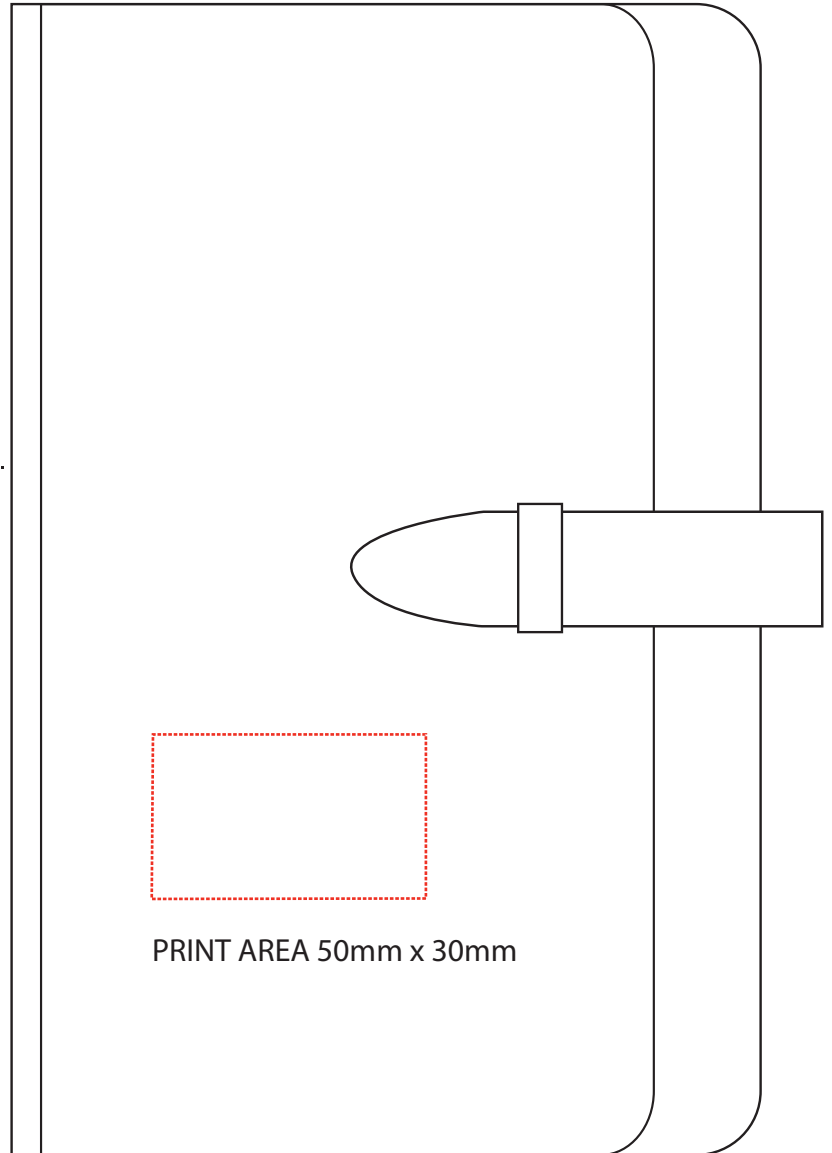
Has the logo been resized from the original supplied?

Are the fonts a nearest match?

Are any small details likely to fill in?
(This refers to any text and/or any logos in the artwork).

Has the layout been changed?

A5 NOTEBOOK



Print Area at Actual Size
30 x 50mm

DOTTED LINE WILL NOT APPEAR ON YOUR IMPRINTED ITEM

I HAVE THOROUGHLY CHECKED THIS PROOF FOR THE FOLLOWING:

LAYOUT:

TEXT & SPELLING:

(Typeface may be a nearest match)

PRINT COLOUR(S):

PRODUCT TEMPLATE SHOWN IS A REPRESENTATION ONLY. THE TEMPLATE/PRODUCT COLOUR IS AS PER THE DETAILS IN THE TOP RIGHT HAND CORNER. THE COLOUR OF THE ARTWORK SHOWN ON THE PRODUCT IS A REPRESENTATION ONLY AS COLOURS CAN DISPLAY DIFFERENTLY ON DIFFERENT SOFTWARE AND COMPUTER SCREENS.

PLEASE TICK APPROPRIATE BOX AND SIGN

**PROOF CORRECT
PLEASE PROCEED**

**PROOF INCORRECT
PLEASE REPROOF**

PLEASE SIGN & DATE

Signature: **Date:**